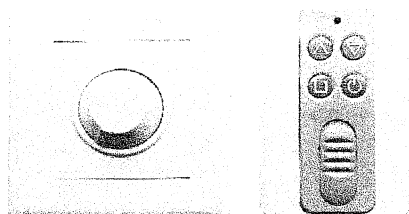


AN INSTRUCTION MANUAL

Wireless Remote Control LED PWM Dimmer

PE 380RF

PE 380FR

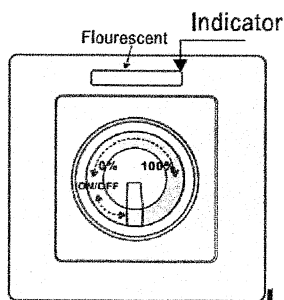


Electrical parameters:

Model No.	PE 380RF
Distance (M)	>50M
Input Voltage (VDC)	12V-48V
Output Current (A)	10
Output Rated power (W)	120W(12V) 480W(48V)
Dimensions LxW (mm)	86x86
Dimensions LxWxH (mm)	100x90x62
Weight (g)	
Dimming	PWM

Using this product, please read the instructions

Dimmer panel:



Knob left: decrease brightness

Knob right: brightness increase

Click the knob: on/off

Indicator:

Shutdown, the LED lit.

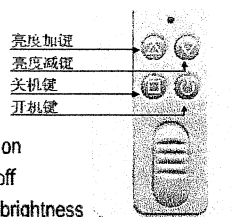
When turned on, light goes out.

When prompted to rapidly dimming light will flash.

When transferred to the maximum or minimum hours,

That has been transferred to the maximum or minimum.

Remote control:



⏻ Button to turn on

⏻ Button to turn off

△ Key increases brightness

▽ Key to reduce the brightness

Remote control matching instruction:

A drive can match 16pcs remote control

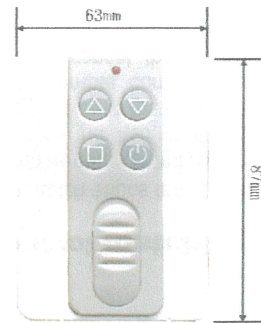
The matching remote control method, in the shutdown state, make the two wire (the two in the middle of J2) short circuit, then the LED flash. Press any key to match the remote control in 5 seconds, then the LED lights, the remote control matching completed.

The method to cancel the matching remote control, make the two wire (the two in the middle of J2) short circuit, Hold on 5 seconds, the the LED off. means the cancelation completed.

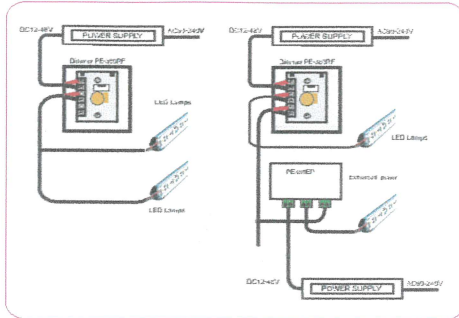
Product features:

- Surface for all dimming power market.
- 0.2 to 100% brightness.
- Knob stepless dimming + remote control dimmer, convenient and practical.
- 512 dimming, adjustable lighting and delicate soft and stable, flicker-free.
- The shutdown brightness memory function.
- Delay shutdown
- Can be an external power expander, infinitely expanding output power

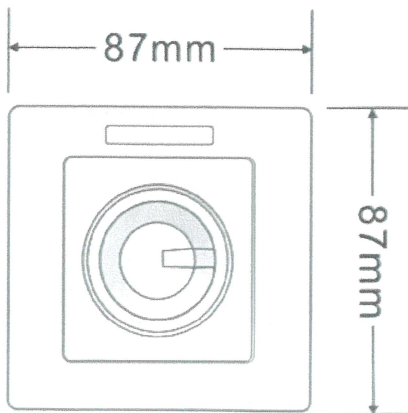
Remote control dimensions:



Wiring Diagram

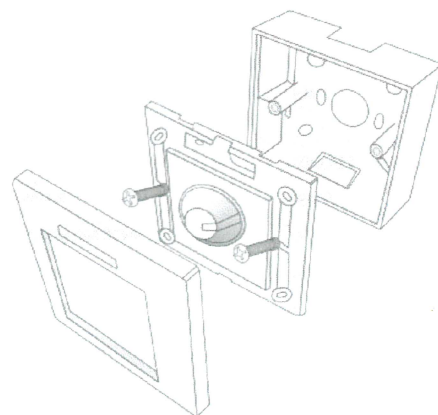


Panel dimensions:



调光器尺寸图

Product installation diagram:



主要构造图