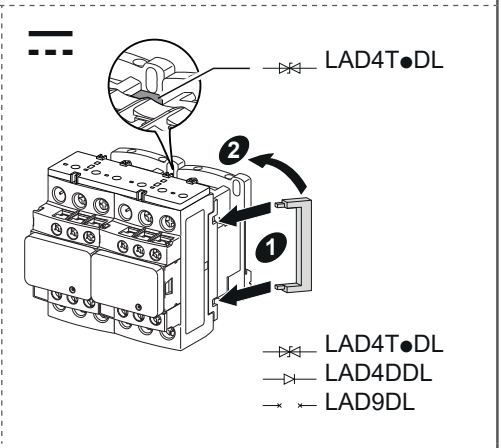
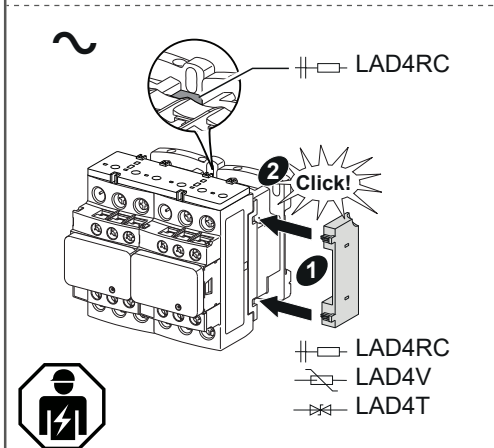
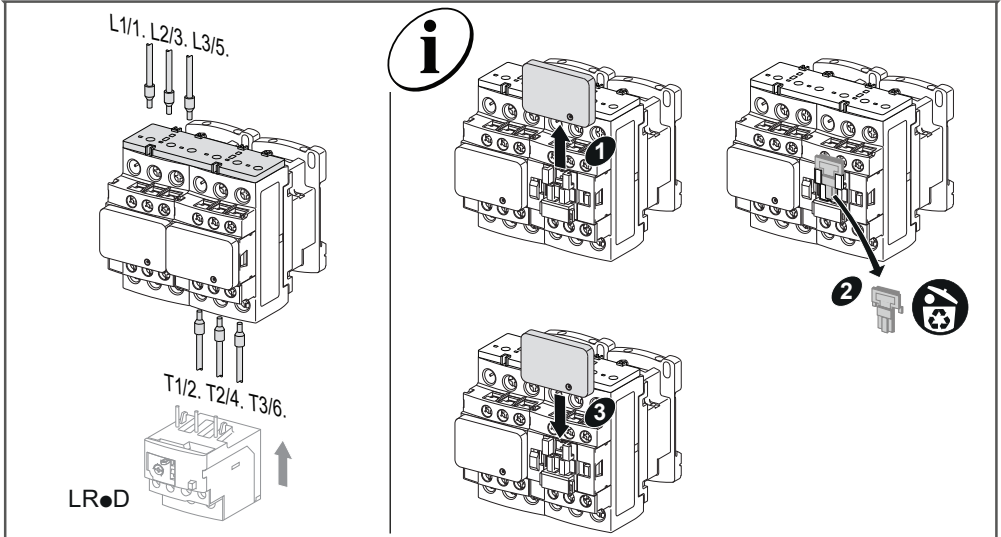


LC2D●●  
T02AN23 / T02BN23 / T02CN23



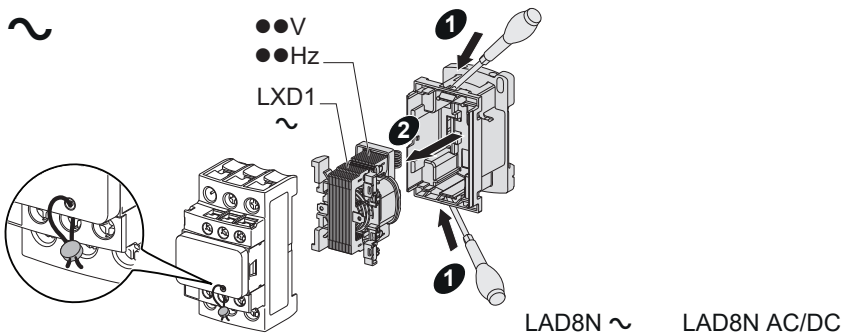
W903819410141



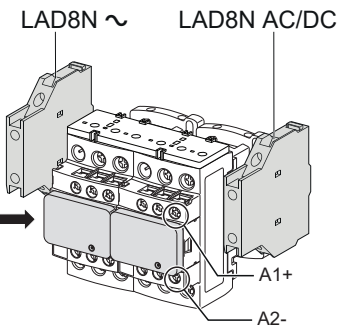
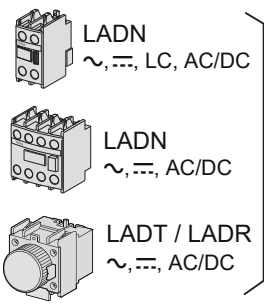
**⚠ ⚠ DANGER / 危险**

**HAZARD OF ELECTRIC SHOCK, EXPLOSION, OR ARC FLASH**  
Disconnect all power before servicing equipment.  
Failure to follow these instructions will result in death or serious injury.

**可能有触电、爆炸或者电弧灼伤的危險**  
在此电力设备上进行操作时，请先断开所有电源。  
不遵循上述规定将可能导致人员伤亡。



~ = Alternating Current Coil  
 --- = Direct Current Coil  
 LC = Direct 100 mA Current Coil  
 AC/DC = Alternating and Direct Current Coil



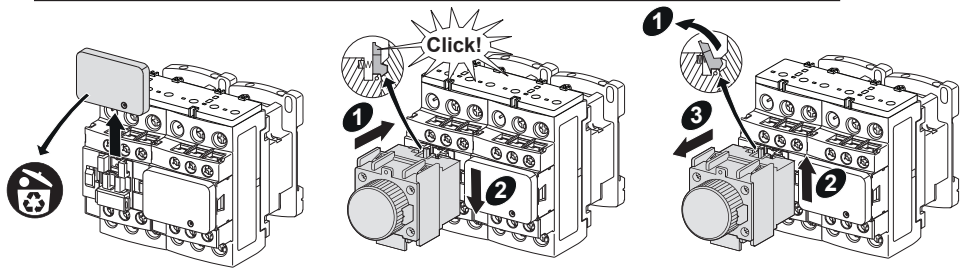
**AC/DC:**

- Use of this product in EMC environment B may require mitigation measures to avoid unwanted disturbance.
- Full open AC at 10%Us.

**AC/DC:**

- 在EMC环境B中使用此产品可能需要采取缓解措施以避免不必要的干扰。
- 交流情况需在10%Us下完全释放。

« For motor starting use Schneider Electric TeSys Protect - Deca overload relays »  
 “电动机起动请使用施耐德电气TeSys保护Deca系列热过载继电器”



LAD6K / LADN / LADT / LADR

**Schneider Electric Industries SAS**  
 35, rue Joseph Monier - CS 30323  
 F - 92506 Rueil Malmaison Cedex  
[www.se.com/contact](http://www.se.com/contact)

**Schneider Electric Limited**  
 Stafford Park 5  
 Telford, TF3 3BL  
 United Kingdom  
[www.se.com/uk](http://www.se.com/uk)

